

Threaded Tube – Through Bulk Head



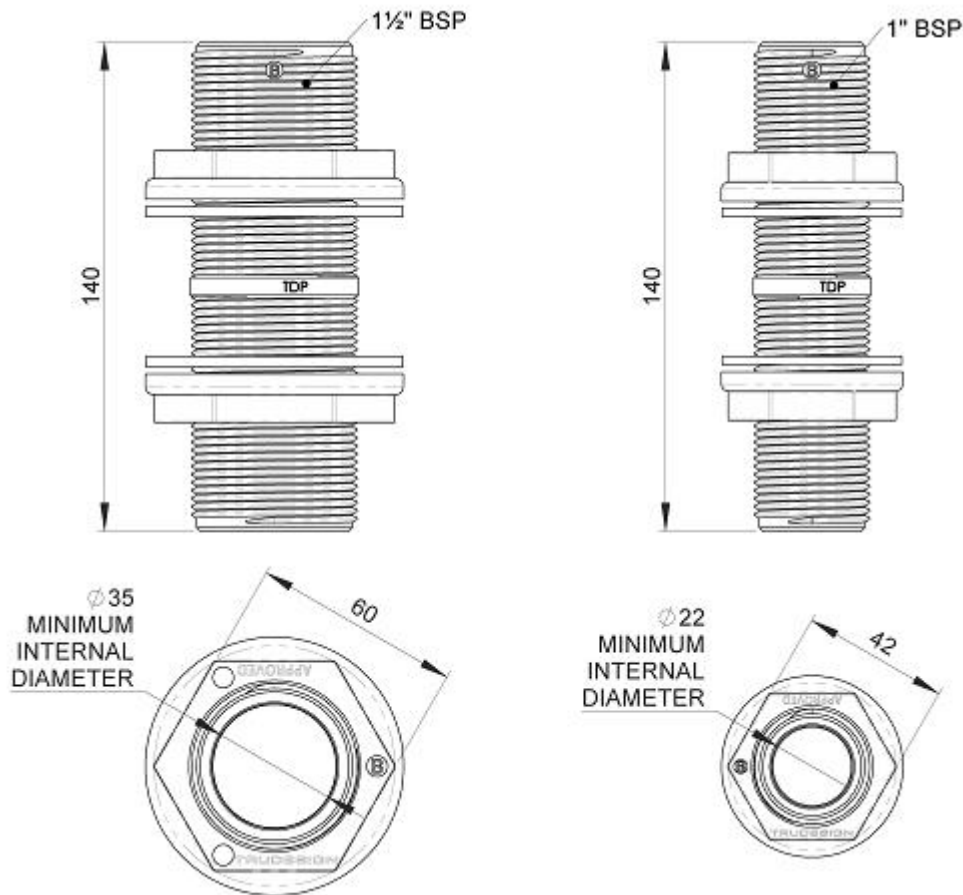
Designed for the secure routing of plumbing hoses or wiring through bulk heads or internal cabinetry.

Features:

- Comes in two sizes of diameter – 1” and 1 ½”
- Total length 140mm (5 ½”)
- Comes complete with two nuts and two backing washers
- Eliminates chafing of plumbing hoses or wiring when passing through Bulk Heads.
- Connects with TruDesign Hose Female Hose Tails to allow routing of hoses to fit neatly into place.
- Can be cut to length to suit thickness of Bulk Head.
-

Part Number	Description
91097	Tube Threaded 1" BSP 140mm Long
91098	Tube Threaded 1 ½" BSP 140mm Long

Nominal Dimensions



The information contained in this information sheet is for general information purposes only. The information is provided by TRUDESIGN™ and while we endeavour to keep the information up to date and correct, we make no representations or warranties of any kind, express or implied, about the completeness, accuracy, reliability, suitability or availability. Any reliance you place on such information is therefore strictly at your own risk.