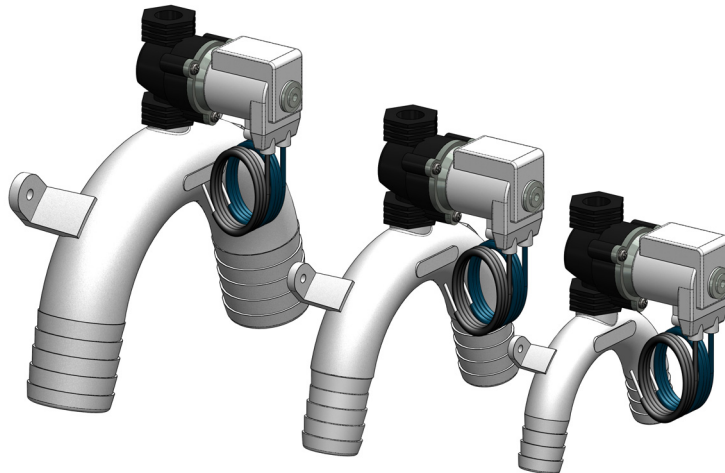


VENTED LOOPS WITH SOLENOID

Designed and made in New Zealand, Tru-Design Vented Loops with Solenoid are the superior composite siphon break solutions for marine applications. Vented Loops prevent water siphoning from underwater skin fittings back into a vessel and thereby guard against accidental flooding and sinking.



Vented Loops are used predominantly in toilet to overboard applications, toilet inlet applications and holding tank to overboard applications. They can also be used in genset or small engine inlet cooling water systems.

A Solenoid controlled Vented Loop allows the vent to be switched to fully closed. This eliminates air entering the system as occurs with a standard vented loop. The solenoid used is normally open, requiring power only to close the valve.

Vented Loops are moulded from a glass reinforced nylon composite. High strength, high-modulus glass fibres impregnated into the nylon provides dramatic strength, stiffness, toughness, and dimensional stability to our loops.

MODELS

Part #	Description
90462	Vented Loop w Solenoid 12VDC 19mm White
90463	Vented Loop w Solenoid 12VDC 25mm White
90464	Vented Loop w Solenoid 12VDC 38mm White

90624	Vented Loop w Solenoid 24VDC 19mm White
90625	Vented Loop w Solenoid 24VDC 25mm White
90626	Vented Loop w Solenoid 24VDC 38mm White

KEY FEATURES

Feature :	
Manufactured from a glass reinforced nylon composite	High strength and light weight.
Robust polymer covered solenoid	Long life in the marine environment
Diaphragm valve	Faster breaking of siphon due to larger flow rate available,
Female threaded Solenoid Valve	No brass/bronze adapter to corrode
Constant internal diameter	No reduction in flow
Self-contained mounting	3 screw mounting posts give secure and easy installation.
Chemical resistant	Impervious to diesel, petrol and antifouling paints.
UV resistant	These fittings will not break down with ultraviolet light or discolour from the sun.
High quality surface finish	Will not discolour with green film as similar bronze fittings do.
Large operating temperature range	Suitable for all marine environments, from -40°C to +110°C.

SPECIFICATIONS

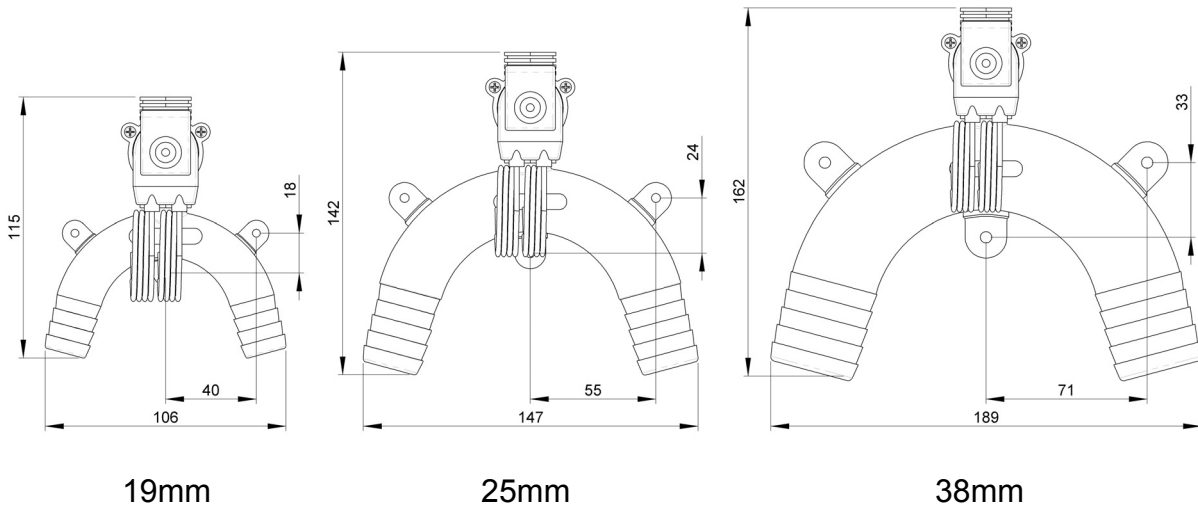
The Solenoid valve is normally open. Apply power to close the valve. With electric toilets this is usually achieved by wiring into the same circuit as the pump.

Solenoid valve is supplied with flying leads for easy installation.

Supply Voltage	12V DC	24V DC
Operating Current	710mA	185mA

DIMENSIONS

All dimensions in mm.
All dimensions nominal.



INSTALLATION

Full installation instructions are supplied with the Vented Loop with Solenoid.

It is recommended that all Vented Loops are placed in a protected location to minimize the chance of inadvertent damage.

The Vented Loop should be mounted a minimum of 250mm (1') above the heeled water line. If mounted below the waterline, the vented loop will not leak, but will not provide any protection.

The vented loop should be screwed to a bulkhead or other robust structure using the integral feet.

Dual hose clamps should be fitted to ensure the hose does not become disengaged from the Vented Loop.

SERVICING

Hose clamps should be checked for secure connection of the hoses to the Vented Loop.

Regular checks of the functioning of the Solenoid valve should be conducted. Unscrew the cap and remove the valve (taking note of orientation). Inspect the valve for buildups and clean if required. Operate the valve connected to a hose or tap to check for correct operation (note arrow for flow direction). Check the port in the top of the vented loop for blockages and clear if required.

If the valve is damaged, a spare Solenoid Valve is available.

Part #	Description
90467	Solenoid Valve 12VDC
90534	Solenoid Valve 24VDC

Tru-Design Plastics Ltd. accepts no responsibility for Products which are improperly installed or tampered with. Although the information presented in this product information sheet is believed to be accurate and reliable, no responsibility for inaccuracies can be assumed by Tru-Design Plastics Ltd. This performance data is typical only and variations due to component manufacturing tolerances are normal. Tru-Design Plastics Ltd. reserves the right at any time to change performance characteristics or specifications without prior notice.
Tru-Design Plastics Ltd, all rights reserved.