

MARINE POWERSPRAY

Designed and made in New Zealand, the Tru-Design Marine PowerSpray nozzle is the superior washdown nozzle for boats and docks.



The Marine Power Sprays adjustable valve allows the user to select a spray pattern that suits the particular application, from a powerful jet to a fine spray. When dropped or released the nozzle automatically shuts off reducing water usage.

The Marine PowerSpray is designed for operation in the harsh marine environment. The strong Nylon 6 body and handle is designed to withstand the knocks as well as the salt and UV exposure encountered in marine applications. With the only metallic component being an internal stainless steel spring, corrosion problems are eliminated.

MODELS

Part #	Description
90381	Nozzle Marine PowerSpray
90620	Nozzle Marine PowerSpray PKG

PKG product is supplied in bags with header cards



KEY FEATURES

Feature :	
Adjustable spray pattern	Versatile usage for wash down or filling applications
Nylon 6 Body	High strength and light weight.
Immune to corrosion and electrolysis	Long life with no concerns over decreased performance due to corrosion.
Chemical resistant	Impervious to diesel, petrol and antifouling paints.
UV resistant	Will not break down with ultraviolet light or discolour from the sun.
¾" thread	Easy connection to other fittings
Auto shutoff	Won't continue to use water if dropped
Black colour	Restrained colouring to suit boat aesthetics

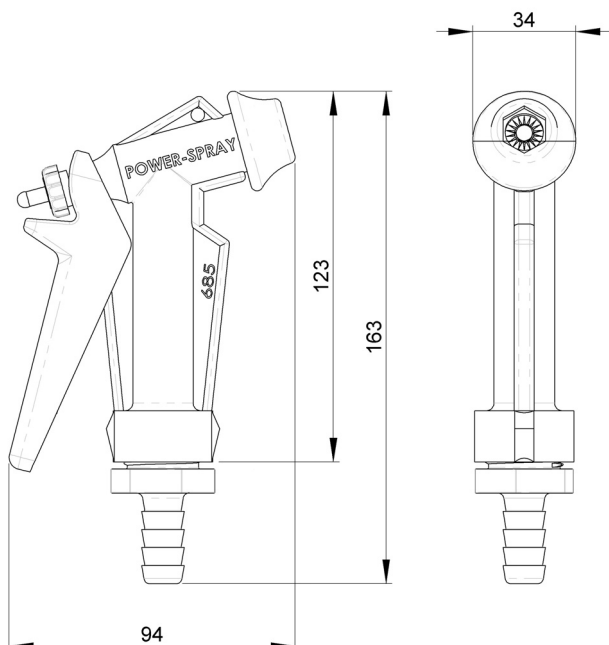
SPECIFICATIONS

Flowrate – 42 litres/min @400kPa (60 PSI)

¾" BSP Thread

DIMENSIONS

All dimensions in mm.
All dimensions nominal.



INSTALLATION

Fit the hose using hot water to soften. Apply hose clamp for a secure connection.

If the 13mm tail is not the correct connection, remove the tail and replace with any 3/4" BSP fitting. The sealing washer may not work with other fittings. Use thread tape to seal if required.

A snap connector for connecting to common garden fittings is available.



Part #	Description
90621	Tail Snap 3/4" BSP Black PKG

The snap connector works with the sealing washer. Screw in place using appropriate open ended spanner.

SERVICING

No servicing is required. Ensure hose connection is secure at regular intervals.

Tru-Design Plastics Ltd. accepts no responsibility for Products which are improperly installed or tampered with. Although the information presented in this product information sheet is believed to be accurate and reliable, no responsibility for inaccuracies can be assumed by Tru-Design Plastics Ltd. This performance data is typical only and variations due to component manufacturing tolerances are normal. Tru-Design Plastics Ltd. reserves the right at any time to change performance characteristics or specifications without prior notice.
Tru-Design Plastics Ltd, all rights reserved.